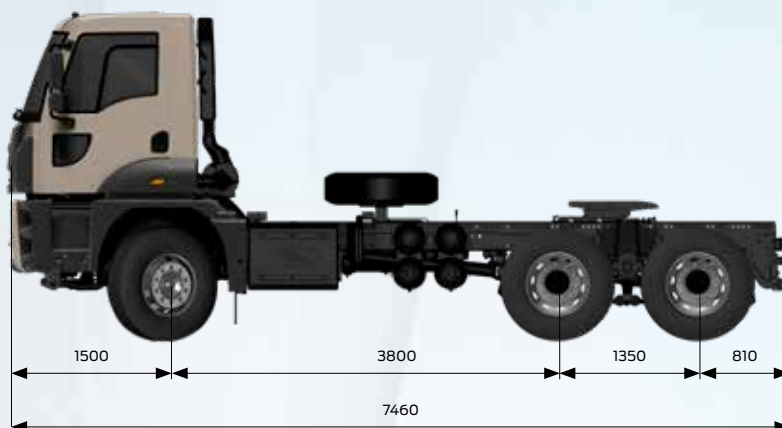


# FORD TRUCKS 3548T DC EURO6



## Basic Features

Vehicle Type	Tractor
Axle	6x4
Emission	Euro 6
Cabin Type	Low Roof Sleeper Cab
Wheelbase (mm)	3800

## Engine

Type	Ecotorq 12.7 liter
Displacement [cc]	12740
Diameter x Stroke	130 mm x 160 mm
Power	480 PS (353 kW) / 1800 rpm
Torque	2500 Nm / 1000-1200 rpm
Compression Ratio	17 +/- 0,5 : 1
Oil Filling Volume [l]	50 L
Coolant volume [l]	57 L (with Intarder 77 L)

## Transmission

Clutch	2 x 400 mm Twin Clutch
Manuel Transmission / ratios (1.gear- 16. gear)	ZF 16S 2530 (13,80-0,84)

## Steering

Power Assisted Single Circuit

## Chassis

Chassis thickness [mm]	10mm with Reinforcement
Chassis Strength [MPa]	500 MPa
Suspension (Rear/Front)	Parabolic Leaf Springs / Parabolic Tandem Suspension
Axle	Hub Reduction
Axle Ratio	4,87
5th Wheel Options	1400mm Height / 3,5 mm King Pin
Tyres	315/80 R 22,5
Wheel Rim	22,5 x 9 Steel

## Braking System

Brakes (front/rear) (Ø.mm x mm. length)	410 X 200, Z-Cam Drum Brake System
Braking System	Dual Brake Circuit – Air Processing Unit with Integrated Oil Seperator and Heater
Engine Brake Power	max. 320 kW (Engine Level)
Intarder Power [Optional]	max. 600kW / continuous 160kW

## Electrical System

Battery	24 V, 2 x 12 V 180 Ah
Alternator / Starter Motor	130 A / 6.5 kW

## Tanks

Fuel Tank	400L Aluminum
SCR Tank	55 L



Sharing the load

Dimensions [mm]				
Front Overhang				1500
Wheelbase				3800
Overall Length				7460
Overall Vehicle Height				3223
Overall Cab Length				2090
Rear Overhang				810
Overall Vehicle Width (Excl. Mirrors)				2540
Ground Clearance - Front				380
Ground Clearance - Rear				305
Turning Radius				8750
Weights [kg]				
	1. Axle	2. Axle	3. Axle	Total
Technically Permissible Weights	8000	13400	13400	32000
Kerb Weight	5639	2763	2527	10929
Payload	2361	10637	10873	21071
GCW				70000

### STANDARD EQUIPMENT

- Air Conditioner
- AM/FM/Aux In/USB/Bluetooth (Radio with Bluetooth)
- Transmission Offset (double gear) PTO without Flange
- Mechanical Cab Suspension
- Cruise Control
- Drum Brake
- Engine Brake
- Electrically Operated Windows
- Electrically Operated and Heated Side Mirrors
- Electrically Operated Headlamp Leveling
- Rake and Reach Adjustable Steering Column
- Heated and Air Suspended Driver Seat
- Lumbar Support
- Top mounted spare wheel carrier
- Anti-lock Brake System (ABS)
- Pad Wear Indicator
- Immobilizer
- Single Key with Remote Control and Central Locking
- Home Safe Light
- Differential Lock
- Short Bumper
- 8T Front Axle Capacity

### OPTIONAL EQUIPMENT

- Transmission Driven PTO Options & Interior Control Unit
- Engine PTO Options & Interior Control Unit
- Intarder
- Low Roof Sleeper Cab
- High Roof Sleeper Cab
- Electrically Operated Cab Tilting
- 225 Ah battery
- 1350, 1450 5.Wheel Options
- ADR
- Additional Fuel Tank 510L + 410L
- Wet Type Auxiliary Heater