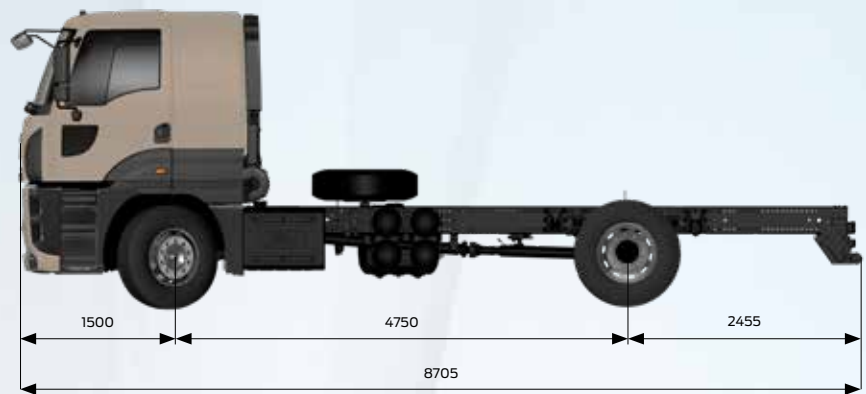


FORD TRUCKS 1842 LRSC EURO6



Basic Features

Vehicle Type	Road Truck
Axle	4x2
Emission	Euro 6
Cabin Type	Low Roof Sleeper Cab
Wheelbase (mm)	4750

Engine

Type	Ecotorq 12.7 L
Displacement [cc]	12740
Diameter x Stroke	130 mm x 160 mm
Power	420 PS (308,9 kW) / 1800 rpm
Torque	2150 Nm / 1000-1300rpm
Compression Ratio	17 +/- 0,5 : 1
Oil Filling Volume [l]	50 L
Coolant volume [l]	without Intarder 57 L ; with Intarder 77 L

Transmission

Clutch	430mm Single Disc
Automated Transmission	ZF 12 TX2210 (16,688-1)
Manuel Transmission	ZF 16S 2230 (13,80 - 0,84)

Steering

Power Assisted Single Circuit

Chassis

Chassis thickness [mm]	7mm
Chassis Strength [MPa]	355 Mpa
Suspension (Rear/Front)	Parabolic Leaf Spring / Multileaf Spring Suspension
Axle	Single Reduction
Axle Ratio (Manual / Automated)	3,08 / 2,64
Tyres	12 R22,5
Wheel Rim	22,5 x 9 Steel

Braking System

Brakes (front/rear) (Ø.mm x mm. length)	430 x 45 - Disc Brake
Braking System	Dual Brake Circuit – Air Processing Unit with Integrated Oil Separator and Heater
Engine Brake Power	max. 320 kW (Engine Level)
Intarder Power [Optional]	max. 600 kW / continuous 160 kW

Electrical System

Battery	24 V, 2 x 12 V 180 Ah
Alternator / Starter Motor	130 A / 6.5 kW

Tanks

Fuel Tank	350 L Aluminum
SCR	55 L



Sharing the load

Dimensions [mm]			
Front Overhang			1500
Wheelbase			4750
Overall Length			8705
Overall Cab Length			2305
Overall Vehicle Height			3120
Overall Vehicle Width (excluding Mirrors)			2540
Chassis Width			866
Useful Chassis Length			5990
Chassis Height-Front			285
Chassis Height-Rear			285
Ground Clearance-Front			356
Ground Clearance-Rear			352
Turning Radius			8400
Weights [kg]			
	1. Axle	2. Axle	Toplam
Technically Permissible Weights	7100	12600	19000
Kerb Weight	4992	2628	7620
Payload	2108	9972	11380

STANDARD EQUIPMENT

- Manual Air Conditioner
- AM/FM/Aux In/USB/Bluetooth (Radio with Bluetooth)
- Cruise Control
- Disc Brake
- Engine Brake
- Electronic Brake System (EBS)
- Differential Lock
- Electrically Operated Windows
- Electrically Operated and Heated Side mirrors
- Electrically Operated Headlight Leveling
- Rake and Reach Adjustable Steering Column
- Heated and Air Suspended Driver Seat and Fixed Passenger Seat
- Lumbar Support
- Electronic Stability Control (ESP)
- Lane Departure Warning System (LDWS)
- Active Emergency Braking System (AEBS)
- Hill Launch Assist
- Immobilizer
- Single Key with Remote Control and Central Locking
- Home Safe Lights
- Approach Lights
- Spare Wheel
- Tachograph
- Medium Bumper
- Hydraulic Cab Tilt
- Front Fog Lamps
- Manual Sunroof

OPTIONAL EQUIPMENT

- Cold Pack (Includes Dry Type Heater, Wet Type Heater and 225 Ah Battery)
- Transmission Offset (Double Gear) PTO with Flange (includes Power Take off Control Unit)
- Engine Driven PTO (includes Power Take off Control Unit)
- Hydraulic Retarder (Intarder)
- Metallic Paint / Special Colors
- Lateral Protection
- Rain Sensor
- Front Towing Hooks
- 315/80 R22,5 Tyres (8T Front Axle Technical Capacity)