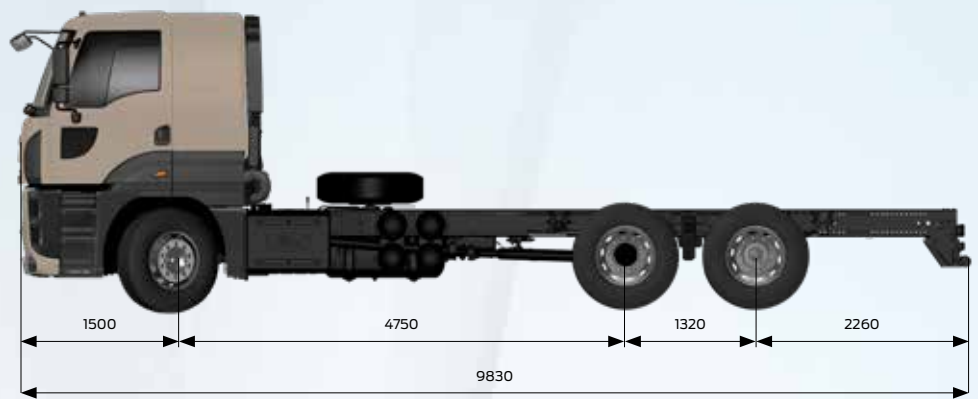


# FORD TRUCKS 2533 LR EURO6



## Basic Features

Vehicle Type	Road Truck
Axle	6x2
Emission	Euro 6
Cabin Type	Low Roof Sleeper Cab
Wheelbase (mm)	4750

## Engine

Type	Ecotorq 9 liters
Displacement (cc)	8974
Diameter x Stroke	115 mm x 144 mm
Power	330 PS (243 kW) @ 1900 rpm
Torque	1300 Nm @ 1200-1700 rpm
Compression Ratio	17,6 : 1
Oil Filling Volume	30 L
Coolant Volume	46 L

## Transmission

Clutch	430 mm Single Disc
Manuel Transmission / Ratios (1.gear - 9. gear)	9+1 Speed (9,40 - 0,75)
Automated Transmission / Ratios (1.gear - 9 gear)	9+1 Speed (9,48 - 0,75)

## Steering

Power Assisted Single Circuit

## Chassis

Chassis Thickness	7 mm with Reinforcement
Chassis Strength	355 MPa
Suspension (Front/Rear)	Parabolic Leaf Spring / Compensating Arm Mechanical Suspension
Axle	Standard Single Reduction
Axle Ratio	4,375
Tyres (Front/Rear)	315/80 R 22,5
Wheel Rim	22,5 x 9 Steel

## Braking System

Brakes (Front/Rear) (Ø.mm x mm. Llength)	430 x 45 mm - Disc Brake
Braking System	Dual Brake Circuit - Air Processing Unit With Integrated Oil Seperator and Heater
Engine Brake Power	max. 220 kW (Engine Level)

## Electrical System

Battery	24V, 2 x 12V 180 Ah
Alternator / Starter Motor	130 A / 6,5 kW

## Tanks

Fuel Tank	550 L Aluminium
SCR Tank	78 L



Sharing the load

Dimensions (mm)	
Front Overhang	1500
Wheelbase	4750
Overall Length	9830
Distance between 2 <sup>nd</sup> and 3 <sup>th</sup> wheel centers	1320
Overall Cab Length	2305
Overall Vehicle Height	3140
Overall Vehicle Width (Excluding Mirrors)	2540
Chassis Width	866
Rear Overhang	2260
Useful Chassis Length	7115
Chassis Height-Front	1073
Chassis Height-Rear	1088
Ground Clearance - Front	303
Ground Clearance - Rear	248
Turning Radius	10140

Weights (kg)	1. Axle	2. Axle	3. Axle	Total
Technically Permissible Weights	7100	12000	8700	26000
Kerb Weight	4771	1950	1452	8173
Payload	2329	10050	7248	17827
GVM (Legal)	7100	11500	8700	25000

### STANDART DONANIM

- Air Conditioner
- Radio/CD/MP3 Player
- Auxiliary Cabin Heater (Dry Type)
- Cruise Control
- Disc Brake
- Engine Brake
- Electronic Brake System (EBS) and Anti-Lock Brake System (ABS)
- Lane Departure Warning System (LDWS)
- Hill Launch Assist
- Differential Lock
- Electrically Operated Windows
- Electrically Operated and Heated Side Mirrors
- Electrically Operated Headlight Leveling
- Rake and Reach Adjustable Steering Column
- Heated and Air Suspended Driver Seat
- Lumbar Support
- Manually Operated Sunroof
- Brake Lining Wear Sensor
- Immobilizer
- Single Key with Remote Control and Central Locking
- Home Safe Light
- Approach Light
- Front Fog Lamps
- Digital Tachograph
- Spare Wheel
- Tag Axle Lifting (Auto Drop Function)
- Advanced Emergency Braking System (AEBS)

### OPSİYONEL DONANIM

- Firefighter Pack
- Transmission Driven PTO Options & Interior Control Unit
- Engine Driven PTO & Interior Control Unit \*
- ADR Pack
- Cold Climate Pack
- Auxiliary Cabin Heater (Wet Type)
- Power Cab Tilting
- Metallic Paint / Special Colors
- 12 R 22,5 Tyre Option
- Low Liner Pack - with 315/60 Tyre and 4,11 Axle Ratio
- 8T Front Axle Technical Capacity (Available with 315/80 R22,5 Tyres) (except 5500 WB)
- Rain Sensor
- Auto Light Sensor
- Automated Transmission

\* Available for Firefighter Pack Only.