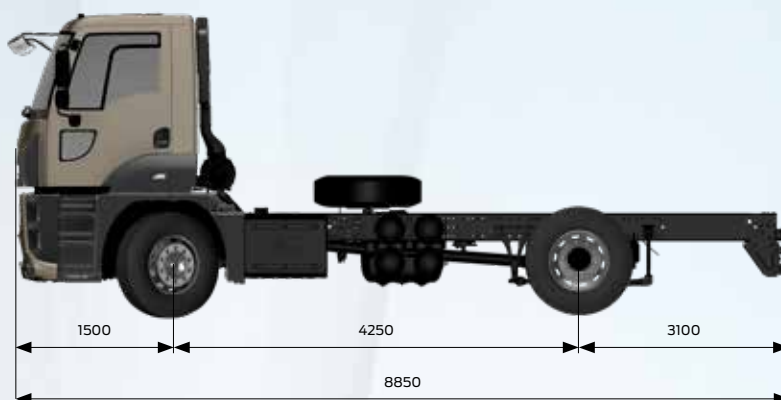


FORD TRUCKS 1833 DC EURO6



Basic Features

Vehicle Type	Light Road Truck
Axle	4x2
Emission	Euro 6
Cabin Type	Day Cab
Wheelbase (mm)	4250

Engine

Type	Ecotorq 9 liters
Displacement (cc)	8974
Diameter x Stroke	115 mm x 144 mm
Power	330 PS (243 kW) @ 1900 rpm
Torque	1300 Nm @ 1200-1700 rpm
Compression Ratio	17,6 : 1
Oil Filling Volume	30 L
Coolant Volume	35 L

Transmission

Clutch	430 mm Single Disc
Manuel Transmission / Ratios (1. gear - 9. gear)	9+1 Speed (9,48 - 0,75)

Steering

Power assisted single circuit

Chassis

Chassis Thickness	7 mm
Chassis Strength	355 MPa
Suspension (Front/Rear)	Parabolic Leaf Spring / Multi-Leaf Spring
Axle	Standard Single Reduction
Axle Ratio	4,63
Tyres	12 R 22,5
Wheel Rim	22,5 x 9 Steel

Braking System

Brakes (Front/Rear) (Ø.mm x mm. Length)	430 x 45 - Disc Brake
Braking System	Dual Brake Circuit, Air Processing Unit With Integrated Oil Separator and Heater
Engine Brake Power	max 220 kW (Engine Level)

Electrical System

Battery	24V, 2 x 12V 150 Ah
Alternator / Starter Motor	130 A / 6,5 kW

Tanks

Fuel Tank	350 L Aluminium
SCR Tank	55 L

Dimensions (mm)				
Front Overhang		1500		
Wheelbase		4250		
Overall Length		8850		
Overall Cab Length		1820		
Overall Vehicle Height		3140		
Overall Vehicle Width (Excluding Mirrors)		2540		
Chassis Width		866		
Rear Overhang		3100		
Useful Chassis Length		6580		
Chassis Height - Front		225		
Chassis Height - Rear		285		
Ground Clearance Front		385		
Ground Clearance Rear		359		
Turning Radius		8400		
Weights (kg)		1. Axle	2. Axle	Total
Technically Permissible Weights		7100	12600	19000
Kerb Weight		4449	2395	6844
Payload		2651	10205	12156
Gross Vehicle Mass (Legal)		7100	11500	18000

STANDARD EQUIPMENT

- Air Conditioner
- Radio/CD/MP3 Player
- Cruise Control
- Disc Brake
- Engine Brake
- Electronic Brake System (EBS) and Anti-Lock Brake System (ABS)
- Electronic Stability Control (ESP)
- Lane Departure Warning System (LDWS)
- Hill Launch Assist
- Differential Lock
- Electrically Operated Windows
- Electrically Operated and Heated Side Mirrors
- Electrically Operated Headlight Leveling
- Rake and Reach Adjustable Steering Column
- Heated and Air Suspended Driver Seat
- Lumbar Support
- Ventilation Roof
- Brake Lining Wear Sensor
- Immobilizer
- Single Key with Remote Control and Central Locking
- Rain Sensor
- Auto Light Sensor
- Home Safe Light
- Approach Light
- Front Fog Lamps
- Digital Tachograph
- Spare Wheel

OPTIONAL EQUIPMENT

- Residual Collection Pack
- Firefighter Pack
- Clutch Dependent PTO & Interior Control Unit
- Engine Driven PTO & Interior Control Unit **
- ADR
- Cold Climate Pack
- Auxiliary Cabin Heater (Wet Type)
- Power Cab Tilting
- Metallic Paint/Special Colors
- 4750 mm Wheelbase Option
- 5500 mm Wheelbase Option
- Vertical Exhaust *
- Short Bumper *
- Advanced Emergency Braking System (AEBS)****
- Rear Air Suspension Package *** - Axle Load Indicator, 315/60 Wheel and 4,11 FDR or 315/80 Wheel and 4,63 FDR
- Dual Passenger Seat
- 3,5T Towing Capability
- 10T Towing Capability with 4,63 FDR

* Available for Residual Collection Pack only.

** Available for Residual Collection & Fire Fighters Pack.

*** Not available for 4750mm Wheelbase Option.

**** Available as standard feature for Rear Air Suspension Vehicles