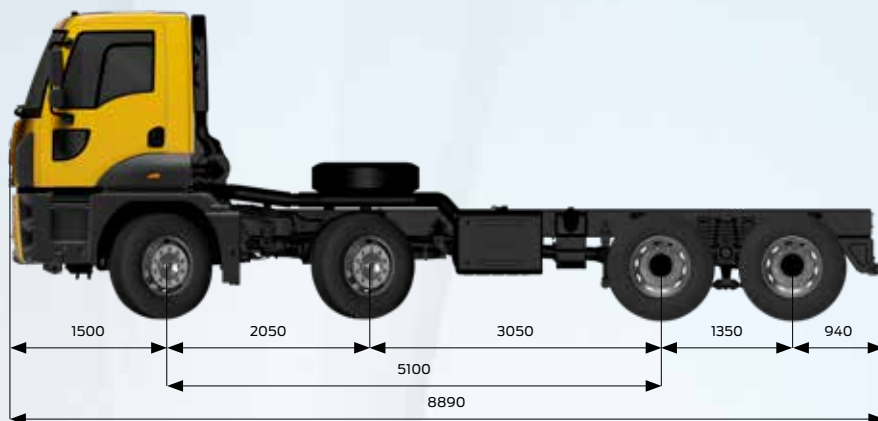


FORD TRUCKS 4142D EURO6



Basic Features

| | |
|----------------|---------|
| Vehicle Type | Tipper |
| Axle | 8x4 |
| Emission | Euro 6 |
| Cabin Type | Day Cab |
| Wheelbase (mm) | 5100 |

Engine

| | |
|--------------------|------------------------------|
| Type | Ecotorq 12,7 litre |
| Displacement (cc) | 12740 |
| Diameter x Stroke | 130 mm x 160 mm |
| Power | 420 PS (308,9 kW) / 1800 rpm |
| Torque | 2150 Nm / 1000-1300 rpm |
| Compression Ratio | 17 +/- 0,5 : 1 |
| Oil Filling Volume | 50 L |
| Coolant Volume | 37 L (57 L with Intarder) |

Transmission

| | |
|--|----------------------------|
| Clutch | 430 mm Single Disc |
| Manuel Transmission / Ratios (1. gear - 16. gear) | ZF 16S 2230 (13,805-0,836) |
| Automated Transmission / Ratios (1. gear - 12. gear) | ZF 12 TX 2210 (16,688-1) |

Steering

Power assisted single circuit

Chassis

| | |
|---------------------------------|---|
| Chassis Thickness | 10 mm with Reinforcement |
| Chassis Strength | 500 MPa |
| Suspension (Front / Rear) | 90 mm Parabolic Leaf Springs / 100 mm Multileaf Tandem Suspension |
| Axle | Hub Reduction |
| Axle Ratio (Manual / Automatic) | 4,08 / 3,57 |
| Tyres | 315/80 R 22,5 |
| Wheel Rim | 22,5 x 9 Steel |

Braking System

| | |
|---------------------------|---|
| Brakes (Ø mm x mm Length) | 410 x 200, Z-Cam Brake System |
| Braking System | Dual Brake Circuit - Air Processing Unit with Integrated Oil Separator and Heater |
| Engine Brake Power | max. 340 kW (Engine Level) |
| Intarder Power | max. 600 kW / Continuous 160 kW |

Electrical System

| | |
|----------------------------|---------------------|
| Battery | 24V, 2 x 12V 150 Ah |
| Alternator / Starter Motor | 130 A / 6,5 kW |

Tanks

| | |
|-----------|-------------|
| Fuel Tank | 315 L Steel |
| SCR Tank | 55 L |

Dimensions (mm)

| | |
|--|-------|
| Front Overhang | 1500 |
| Wheelbase | 5100 |
| Overall Length | 8890 |
| Distance Between 1 st and 2 nd Wheel Centers | 2050 |
| Distance Between 2 nd and 3 th Wheel Centers | 3050 |
| Distance Between 3 th and 4 th Wheel Centers | 1350 |
| Overall Cab Length | 1820 |
| Total Vehicle Height | 3245 |
| Overall Vehicle Width (Excluding Mirrors) | 2540 |
| Chassis Width | 770 |
| Rear Overhang | 940 |
| Useful Chassis Length | 6490 |
| Chassis Height - Front | 225 |
| Chassis Height - Rear | 285 |
| Ground Clearance - Front | 547 |
| Ground Clearance - Rear | 305 |
| Turning Radius | 10640 |

| Weights (kg) | 1. Axle | 2. Axle | 3. Axle | 4. Axle | Total |
|---------------------------------|---------|---------|---------|---------|-------|
| Technically Permissible Weights | 7500 | 7500 | 13400 | 13400 | 39000 |
| Kerb Weight | 3751 | 3710 | 2061 | 2060 | 11582 |
| Payload | 3749 | 3790 | 11339 | 11340 | 27418 |
| GVM (Legal) | 7500 | 7500 | 9500 | 9500 | 32000 |

STANDARD EQUIPMENT

- Air conditioner
- Radio/CD Player
- Transmission Offset (single gear) PTO without Flange & Interior Control Unit
- Cruise Control
- Drum Brake
- Engine Brake
- Electrically Operated Windows
- Electrically Operated and Heated Side Mirrors
- Electrically Operated Headlamp Leveling
- Rake and Reach Adjustable Steering Column
- Heated and Air Suspended Driver Seat
- Switchable Air Compressor for Improved Fuel Economy
- Lumbar Support
- Manually Operated Sunroof
- Front Vehicle Antiroll Bar
- Anti-Lock Brake System (ABS)
- Brake Lining Wear Indicator
- Immobilizer
- Single Key with Remote Control and Central Locking
- Home Safe Light
- Approach Light
- Differential Lock
- Digital Tachograph

OPTIONAL EQUIPMENT

- Automated Transmission (with Normal Mode, Off-Road Mode, Rocking Mode)
- Engine Driven PTO & Interior Control Unit
- Intarder
- ADR Pack
- Low Roof Sleeper Cab with Single Bed
- Wet Type Cab Heater *
- Cold Pack with Wet Type Cab Heater *
- Cold Pack with Dry & Wet Type Cab Heater **
- Power Cab Tilting
- Rear Window ***
- 4750 mm Wheelbase Version
- Automatic Traction Control (ATC)
- Double Passenger Seat ***
- Extra Heavy Duty Pack
- 3,5T Towing Capability
- 10T Towing Capability
- 27T Towing Capability

* Not Available with 4750 mm Wheelbase Version.

** Only Available with Low Roof Sleeper Cab Version.

*** Not Available with Low Roof Sleeper Cab Version.